

# OIL LEVEL GAUGE WITH TEMPERATURE INDICATOR

..... for OEMs

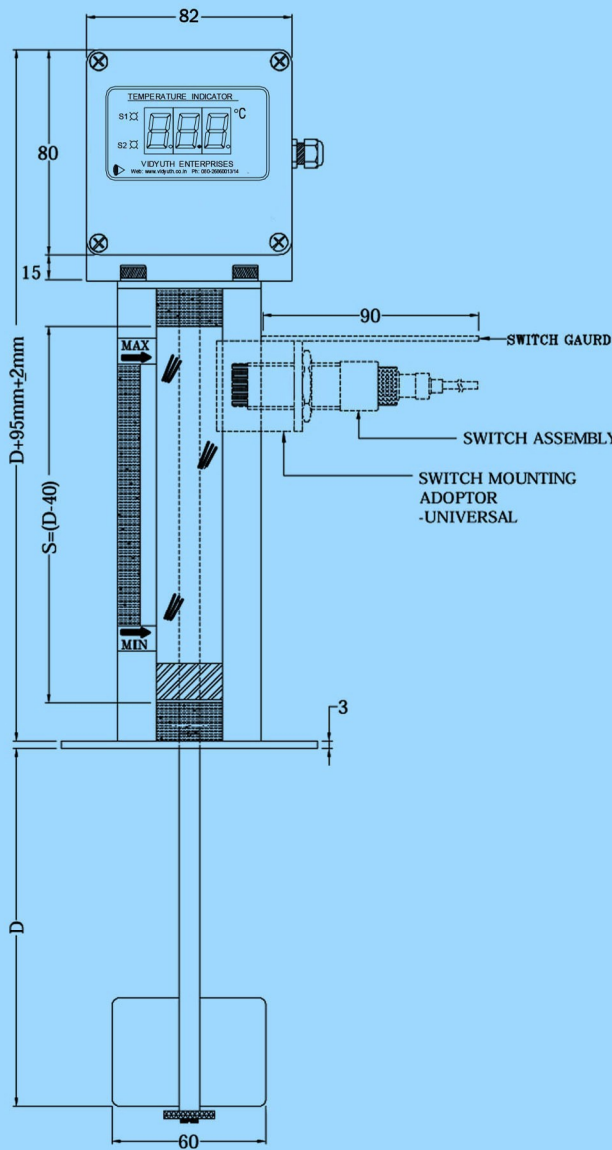


**Tank top mounting type oil level gauge with temperature indicator is used to indicate and control both liquid level and temperature of liquid mainly hydraulic oil in machine tool industry.**

**Oil Level gauge with temperature indicator incorporates PU float, Aluminium profile structure, polycarbonate transparent tube, optional switch mounting adopters, electronics and ABS plastic enclosure for temperature indicator.**

**Magnet carrying piston is connected float through indicating rod, which moves within polycarbonate tube thereby indicating the liquid level in the tank. Piston can actuate either magnetic Reed based sensor switch (order separately) or standard M18, 8mm sensing range inductive proximity switch. For both type sensor switches order level gauges with switch mounting adopters.**

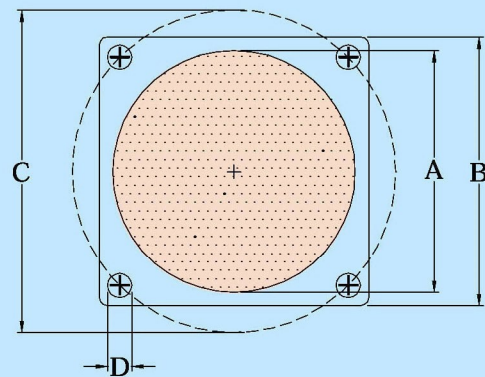
**Stainless tube running along oil level gauge into the tank contains solid state temperature transducer, and the same is connected to electronics housed in enclosure. Electronics will display and control temperature of oil or liquid in the tank.**



NOTE:  
 Min, Max, Green Band Stickers are Supplied Loose.  
 To be fixed at site.  
 For selection of Switch Assembly refer  
 Magnetic Proximity switch Catalogue.

PROXIMITY SWITCH  
 M18 SIZE, 8 MM SENSING RANGE  
 MAGNETIC REED SWITCH  
 LATCHED OUTPUT  
 (Refer our catalogue for the same for details)

CUTOUT AND MOUNTING DETAIL:



A=Ø95  
 B=100 SQ  
 C=Ø120  
 D=Ø8.8

ALL DIMENSIONS ARE IN MM

### TECHNICAL SPECIFICATION FOR TEMPERATURE INDICATOR

- |                                    |  |
|------------------------------------|--|
| 1. Indicating range                | : + 01.0°C ~ + 99.9°C in 0.1°C step                            |
| 2. No. of output                   | : Two, programmable for set point & differential for PNP & NPN |
| 3. Output Type                     | : PNP, NPN & Analog  |
| 4. Max. Output current             | : 200mA for only PNP & NPN                                     |
| 5. Input Voltage Range             | : 24V DC ±5%   |
| 6. Output short circuit protection | : Provided - PNP & NPN   |
| 7. Reverse polarity protection     | : Provided   |
| 8. Max. Error                      | : 0.25% ± 1 Least Count  |

### ORDERING INFORMATION

**OLG-6-T-...../D...../W...../A...../**

**Oil Level Gauge Ø60mm PU Float  
 Temperature Indicator**

\* Refer the Output Types:

\*OUTPUT TYPE:

- O** : PNP Transistor Output
- N** : NPN Transistor Output
- VO** : Voltage Output 0.... 10V DC
- CO** : Current Output 4 .... 20mA

Distance between flange  
 bottom to float bottom with  
 no liquid present in the tank (mm)  
 (max **600** mm)

**1.** No. of M18 Switch Adapters

**2.**

:

\* applicable only for selection A or G in / W..../field

**O**: without Adapters

**A**: with Adapters

**G**: with Adapters & Switch Guard

since continuous development is our policy, the above specification and details may change without prior notice

CT-005/OLGT/01-19/R 01

**VIDYUTH ENTERPRISES**

#387/41, Bikasipura Main Road, Yelachenahalli,  
 (Near Delhi Public School) Bangalore - 560062.  
 Ph : 080-26860013/14, 26861056 - Mob : 9886715952  
 email : info@vidyuth.co.in - manufacture@vidyuth.co.in  
 web : www.vidyuth.co.in

